

Ceiling Mount

C 1051

15W 100V Line

Pendant Speaker Black

Overview

Designed for use where traditional ceiling mounted speakers are impractical to install. Used in such areas as very high raked, suspended, concrete, or exposed ceilings. Installation requires a single fixing with connection concealed within the ceiling rose provided. Fitted with a high efficiency 165mm (6.5") twin cone 15W driver.

Features

- Ideal for high ceilings and open space environments.
- Wide dispersion angle.
- 15W high power tap provides flexibility for music installations.
- Selectable power taps via multi-core cable.
- Includes ceiling rose for a neat finish.
- Choice of black or white casing.
- Contemporary off white colour for architecturally unobtrusive installation.

Installation Guidelines

Ideally suited to areas where traditional loudspeaker installation is impractical, particularly in high ceiling environments where meeting a required attenuation level is difficult. A pendant speaker lowers the level of the sound source from the ceiling, allowing greater sound dispersion without the need to increase overall wattage output.

Testing

Redback® drivers are subject to strenuous factory testing reducing the risk of unit failure or performance reduction over time. Each driver has a power rating well above the max tapping of the transformer, ensuring reliable operation and excellent longevity.

About Redback® Speaker Drivers

Each custom designed speaker and transformer combination has been specifically engineered to ensure a wide frequency range and dispersion angle, plus a high sound pressure level (SPL) ensuring excellent music and speech intelligibility; which is highly desirable.

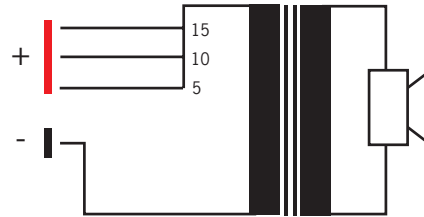
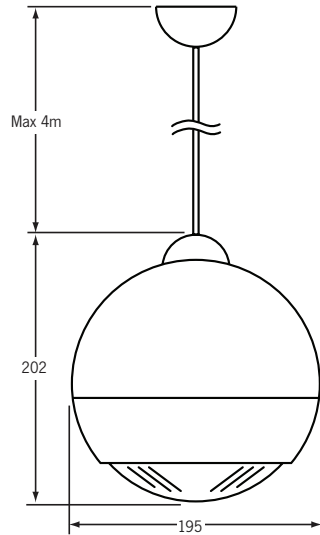
Redback® drivers exhibit optimum frequency response and efficiency for BGM, paging and EWIS applications. The transformers are wound on professional grade grain oriented steel cores for high efficiency and extended frequency response.



Ceiling Mount
C 1051
 15W 100V Line
 Pendant Speaker Black



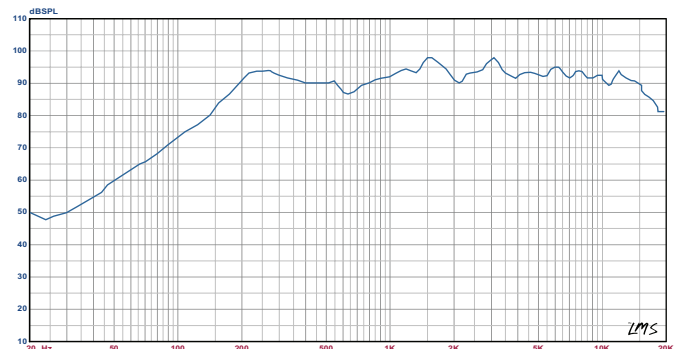
Transformer Detail



Specifications

Electrical	
Power Taps	5, 10 and 15W
SPL 1W @ 1m	91dB @ 1kHz (+/- 2dB)
SPL Full Power @ 1m	100dB @ 1kHz (+/- 2dB)
Frequency Response	130Hz-20kHz
Dispersion	4kHz 80°
Connection	Bare wire
Mechanical	
Driver Construction	Polypropylene coated cone
Housing Construction	ABS
Dimensions	202 x 195mm
Overall Weight	1.75kg

Frequency Response (SPL 1W @ 1m)



Architect Specifications

The suspension mount ball speaker shall have a 165mm twin cone speaker driver which shall operate at 100V and have power taps of 15W, 10W and 5W. It shall have SPL of 90dB. It shall have a frequency response of 80Hz to 20 kHz. The speaker body shall be made of black ABS plastic and shall have a 4 meter suspension cable. The pendant speaker shall be a REDBACK model C 1051.